

AST9000

CASSETTE BASED TELLER CASH RECYCLER



NEW

ONLY FOR USA



CIMA
WHEREVER YOU COUNT

AST9000

CASSETTE BASED TELLER CASH RECYCLER

The **AST9000** is an all-new cassette-based, cash-in cash-out, teller cash recycler (TCR) from CIMA. Designed with high performance in mind for retail environments/bank branches where cash processing volumes are high. The **AST9000** ensures security, reliability and significantly faster cash processing times to deliver major operational efficiencies and productivity benefits.

AST9000 accepts, authenticates, stores and dispenses banknotes through a conveniently located high capacity input/output/reject slot. Recycling and storage are accomplished via a series of highly configurable cassettes.

AST9000 is equipped with five (5) scalable cash boxes / cassettes

with a range of flexible options and features:

- Single denomination recycling cassette
- Dual denomination recycling cassette
- Deposit only cassette
- Self auditing cassette

Banknote detection is handled by a validator which is equipped with the most advanced recognition and authentication technologies. The validator can be configured to perform authenticity detection only or combined to incorporate banknote fitness sorting as well. Both scenarios comply with the regulations of all the major global central banks.

AST9000's compact size and footprint with an aesthetically pleasing look and ideal ergonomics make it an excellent solution for the retail back office environment or for bank branches.



FEATURES and SPECIFICATIONS:

- Speed: 10 banknotes per second (deposit and dispense)
- Input slot capacity: 300 banknotes with continuous feeding
- Output slot capacity: 100 banknotes
- 7" touch screen for operator assistance
- Optional multicurrency operation (up to 127 denominations)
- Compatible with CAOS and C-Link software platforms

Electrical:

- Voltage: 100V-240V AC
- Frequency: 50Hz - 60Hz

Connections:

- 1 x Fast Ethernet port (100Mbps)
- 2 x USB 2.0 ports

Size of banknotes handled:

- Length from 4.7" to 6.9" (120mm to 177mm)
- Height from 2.35" to 3.35" (60mm to 85mm)

CASH BOXES / CASSETTES

- Number of cash boxes / cassettes: 5
- Cassette Capacity:
 - Up to a total of 13,600 banknotes for recycling
 - Single denomination recycling – up to 3,400 banknotes
 - Dual denomination recycling – up to 1,800 / 450 banknotes*
 - Deposit cassette – up to 2,800 banknotes*
 - Self audit cassette – up to 3,400 banknotes*

* Capacity may vary according to banknote thickness and quality

Possible cassette configurations:

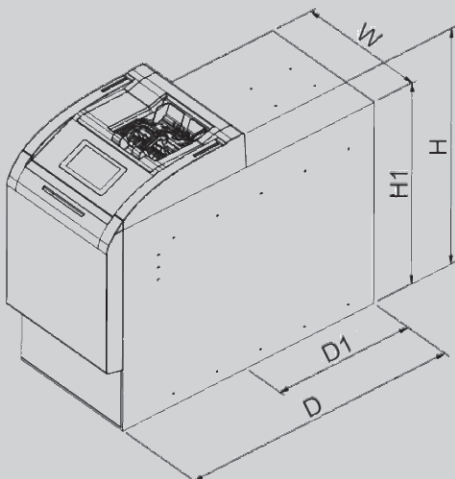
- Maximum (without auditing):
 - Recycling: 13,600 banknotes
 - Deposit: 2,800 banknotes
- Flexible
 - Self Audit / Recycling: 6,750 banknotes
 - Deposit: 2,800
 - 6 recycling denominations
- Customized
 - Self Audit / Recycling: 7,900 banknotes
 - Deposit: 2,800
 - 5 recycling denominations

ACCESSORIES:

- 15" integrated touch screen and 3" thermal receipt printer on bracket (rear metal case required)
- Front lock covering hood with envelop drop box for manual banknote deposits
- Software and hardware to manage alarms and security locks
- Non-certified plinth:
 - 17.9" (w) x 6.3" (h) x 40.2" (d)
 - 455mm (w) x 158mm (h) x 960mm (d)

BENEFITS:

- Considerable reduction in transaction times for both deposit and dispense processes.
- Internal self audit function allows complete auditing and security without exposing notes.
- Optional fitness sorting features enables good quality notes to be dispensed for ATM fulfillment.
- Highly customizable cassettes for greater flexibility
- Excellent aesthetics and ergonomics.
- Real time cash visibility with appropriate software integration.
- Significant reductions in cash holdings on premise can be achieved due to recycling.
- High performance validator reduces identification errors.
- Delivers increased site productivity.
- Facilitates better and faster customer service.



DIMENSIONS:

With UL 291-24H (inches):

Inches: 17.9" (w) x 33.7" (h) x 40.2" (d) / Inches: 19.2" (d1) x 28.8" (h1)

With UL 291-24H (mm):

Millimeter: 455mm (w) x 857mm (h) x 1020mm (d) / Millimeter: 487mm (d1) x 722mm (h1)



CIMA

WHEREVER YOU COUNT

CIMA Cash Handling, America Inc.
1300 W. Sam Houston Pkwy. South, Suite 100
Houston TX 77042
info@cima-america.com
www.cima-america.com



HQ: CIMA S.p.A. Via di Mezzo 2-4 – 41037 Mirandola MODENA – Italy