



# TELLER CASH RECYCLER ASHTER 7008WIN

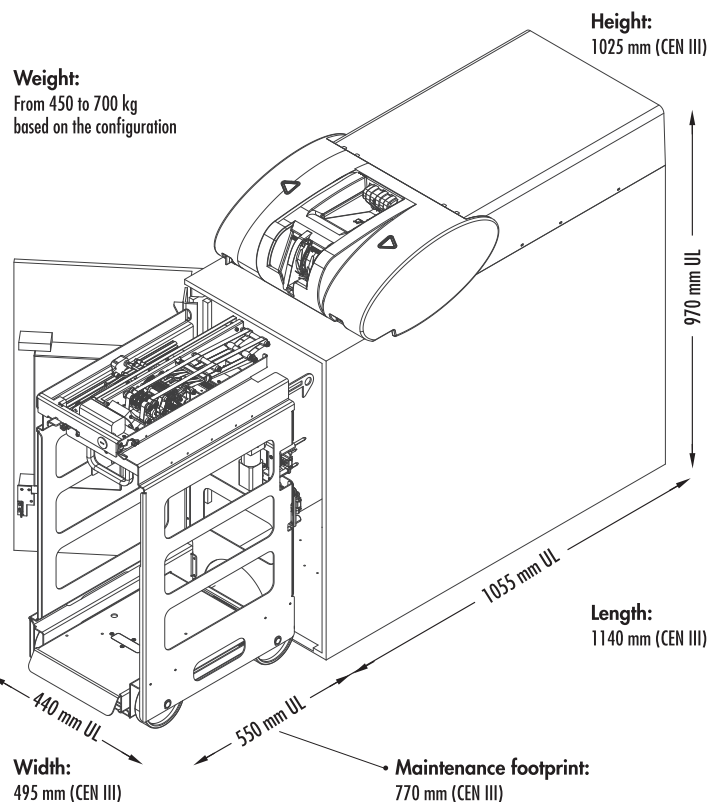


TELLER CASH RECYCLER



# TELLER CASH RECYCLER AST 7008 WIN

- AST 7008 WIN represents the perfect combination between a TCR and a deposit unit. Perfect for back-office and retail applications, it is characterized by a high capacity (up to 5,600 recycled banknotes + 4,000 banknotes in the self-sealing disposable bag).
- Modularity of the recycling drums (8 - 6 - 4).
- In the retail applications it is the perfect tool for the preparation of the teller's shift start kit and the shift end deposit.
- It can be interfaced with coin handling devices.
- The multicurrency operation mode makes it perfectly suitable for any bank and extra-bank backgrounds.
- The recognition of banknotes can be made with the Cash Ray 90 sensor by the German company Giesecke & Devrient or with a Fitness validator in compliance with the ECB standards.
  - The Maintenance footprint is minimised thanks to the modular system that led to the creation of two separate internal frames.
  - If the bank's requirements should change over time from a lot of cash in to be handled to big amounts of banknotes to be recycled, AST 7008 WIN can be converted into AST 7016 NT thanks to the PLUG & PLAY module, which allows to replace the frame carrying the self-sealing disposable bag into an 8-drum frame.
  - Flawless fitness management, as the worn out banknotes are directly stored into the bag.
  - The banknotes handled by the drums are automatically stored into the bag; this process automation reducing the manual handling of money helps to prevent and minimise human mistakes.
  - The safe can be opened just once the bag has self-sealed.
  - Dramatic reduction of the teller's working time both in the deposit and the withdrawal stages (high transaction speed: 7 banknotes/second).
  - Thanks to the high security level it makes open branches something really possible.
- Real time update of balances and cash in hands.
- Possibility to return the last deposit made.
- It considerably reduces the cash in hand within the branch.
- Software and hardware for the management of alarms and security locks.
- User interface available on request.



## TECHNICAL SPECIFICATIONS

**Safe:** 12 mm (UL 291) and CEN III

**Electrical characteristics:**  
**Voltage:** 110 - 230 V AC  
**Power absorbed:** 600 W  
**Frequency:** 50 - 60 Hz

**Connections:**  
RS232 serial port or USB 1.0 port or ethernet

**Options:** user interface including  
• 5,7" TFT colour touch screen  
• PC board  
• 60 mm thermal printer  
• hard disk  
• identification with Dallas key

**Number of drums handled:** up to 8

**Deposit capacity:**  
up to 700 banknotes each drum

**Handling of drums:**  
• Storage by single denomination with recycling function  
• Multidenomination storage with stocking function  
• Flexibility of the drums

**Banknotes detector:**  
**Cash Ray 90:** 3D, visible light, infrared, ultraviolet, magnetic, 1,300 samples each banknote.

**FITNESS:** Certified version in compliance with ECB standards.

**Deposit and withdrawal speed:**  
Deposit: up to 7 banknotes per second  
Withdrawal: 7 banknotes per second

**Size of the banknotes handled:**  
**Standard configuration:**  
**Length:** from 100 mm to 190 mm  
**Width:** from 60 mm to 82 mm

**Alarm management possibility**

